

ASY3000 SERIES – KELVIN TEST FIXTURES

Fixturing



The ASY3000 provides a four terminal Kelvin test fixture for high precision reliable connection to through hole and surface mount devices. It is ideally suited for medium/low volume relay production test.

Key Features

- Turn key solution for RT290 and Reflex users
- Handles a wide range of through-hole and surface mount devices (SMD)
- Kelvin connection down to 0.1" pitch
- Fine adjustment provided for optimum SMD pin alignment
- Compact, all metal construction - excellent electrical screening characteristics
- High quality switches and LED indicators for low maintenance
- Supplied with user guide and full circuit diagrams
- Device sockets made to customer specified footprint dimensions

Overview

The ASY3000 series test fixtures provide a turn key 4 terminal (Kelvin) solution for both surface mount and through hole devices. The Kelvin socket footprint is manufactured according to customer specification at time of ordering. Local Pass/Fail indication and Test switch are provided for ease of use. Non slip feet and an all metal construction provide an electrically screened and sturdy environment.

Fixture Check

ART parametric test equipment incorporates a fixture (socket) check which confirms the integrity of the Kelvin device connections. This ensures that the testing does not commence until the device is correctly inserted into the test fixture and that all connections are made.

Interface connector	60 way Hirose 1300 series
Max pin diameter	1 mm (0.04")
Min pin spacing	2.5 mm (0.1")
Overall dimensions	160(W) x 160(D) x 91(H) (6.3" x 6.3" x 3.6")
Weight	2 kg (4.4 lb)
Colour	Stipple grey

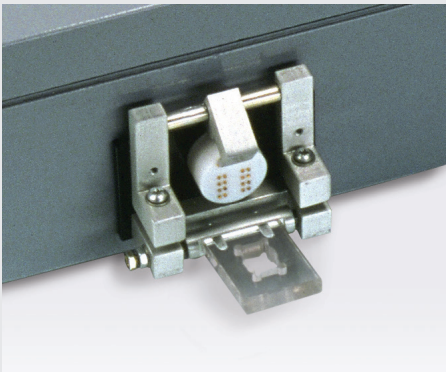
Scan for Website:



Product Features

Device connections

All device connections are four terminal (Kelvin) for maximum measurement accuracy. The surface mount device versions feature gold plated spring probes. Through hole versions are based on gold plated zero insertion force connectors.



Kelvin SMD device interface

Custom solutions

Kelvin sockets are manufactured to meet a wide variety of device footprints and can be configured to test both SMD and through-hole devices down to 0.1" pin spacing. A sample device may be required at time of order.

Indicators and switches

Indicators are provided to show PASS / FAIL / BUSY status and a TEST switch is also included.

Low maintenance

High quality switches and sturdy all-steel construction ensure maximum durability. All indicators use LEDs for high MTBF. Rubber feet prevent damage to work surface and reduce slipping.

Interchangeable legends

A simple cover plate retains a legend which can be customised, for example, to indicate device type and polarisation. The legend can also be changed for alternative languages or functionality.

Compatibility

The ASY3000 series of test fixtures is compatible with ART's full range of parametric relay test systems.

Mapping adaptors

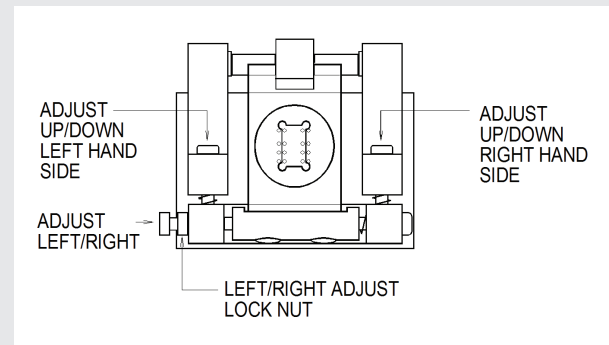
Mapping adaptor cables may be supplied when testing multiple parts sharing the same footprint but with different pin configurations.

Signal quality

The earth bonded all-steel construction provides a high level of screening. Additionally all parametric signals are fully screened to optimise signal quality in electrically noisy environments.

SMD alignment

Fixtures designed for use with surface mounting devices are provided with simple screw adjustments to provide optimum alignment between the device pins and the fixture contacts. This is particularly important when testing very small geometry devices.



Example: SMD adjustments

Order codes:

Parametric system interface cable

ASY3112-D - D-type interface cable

ASY3112-H - Hirose interface cable

Fixtures:

ASY3100 - RB06H2C3 through hole relay

ASY3101 - RB14H2C05 through hole relay

ASY3102 - RSP20H205 through hole relay

ASY3103 - RSP25H2C5 through hole relay

ASY3104 - RSP272C3 through hole relay

ASY3109 - RSP26H205 SMD relay

ASY3110 - RSP24H205 SMD relay

ASY3111 - NAS / TX-D / RSP26 SMD relay

ASY3114 - NAS / TX-D / RSP26 through hole relay

ASY3115 - AGN2x0A / RSP26 SMD relay

ASY3118 - IM G (Gull wing) SMD relay

Please contact Applied Relay Testing for other relay types.



See also:
TF10 Kelvin test fixture for through hole devices