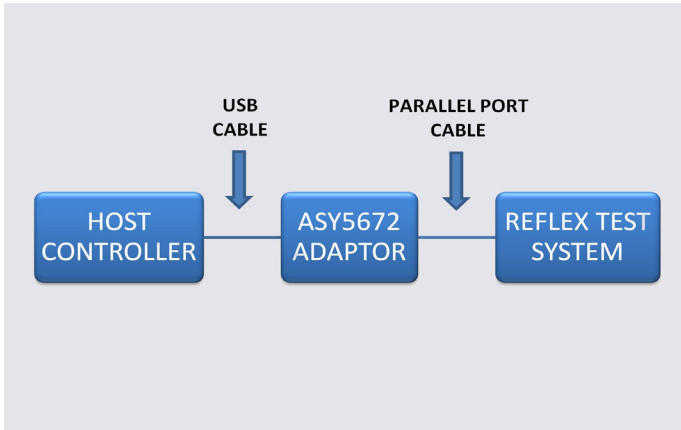


ASY5672 – USB TO PARALLEL PORT ADAPTOR

Fixturing



The ASY5672 USB to parallel port adaptor provides a standard USB 2.0 interface for controlling ART Reflex test systems running Artworks 5 test software thereby removing the requirement for a compatible parallel port connection built into the host PC.

Key Features

- Fully compatible with Artworks 5 or later
- Allows Windows based tablets, laptops or PCs to control Reflex systems
- USB bus powered (external power supply optional)
- Avoids having to fit internal parallel port card when using a Windows based PC
- Supplied with documentation and cables

Overview

Many of ART's Reflex test systems communicate with the host controller via a 25 pin parallel port. Since these are now rarely fitted as standard to PCs or laptops there are two options to make this connection. Historically the solution was to fit a compatible parallel port card into the host controller. However this has a number of drawbacks:

- Fitting an internal card may invalidate the PC supplier's guarantee
- Not achievable with tablets or laptops
- Additional cost of purchasing and fitting the card

With the introduction of the ASY5672 adaptor these drawbacks can now be avoided. This module provides the necessary connection between a spare USB port on the host controller and the Reflex system parallel port.

PC Interface	Mini USB (Hi Speed)
Reflex Interface	25 pin Sub-miniature D-type socket
Power options	Bus / External DC 9 Volt PSU
Software compatibility	Artworks 5 or later
Dimensions (mm)	106(W) x 127(D) x 34(H) [4.2" x 5" x 1.4"]
Weight	300 g (11 oz)

Scan for Website:



Product Features

Fully Artworks compatible

ASY5672 control has been seamlessly integrated into Artworks since the introduction of Artworks 5. Note that during the Artworks control software installation process the USB option should be selected to ensure all the necessary USB software drivers are installed.

Bus powered

The module can be powered directly from the host controller USB port. If necessary an external power supply can be used. For example an external power source may be required if the ASY5672 is connected to the host via a non powered USB hub.

Front panel indicators

Two LED indicators are mounted on the front panel to clearly show the status of USB power and to confirm data communication.

Connectors and cables

All connections to the module are made using standard connectors:

- Parallel port - 25 pin subminiature D-type socket. Connects to the Reflex test system using the standard fully wired parallel port cable supplied with the system
- Mini USB. Connects to a Windows based host controller using a USB A to Mini USB cable. Check with ART for alternative USB connection options which may be required for use with tablets

Documentation

The ASY5672 is provided with basic user guide to explain the hardware procedure to connect the unit between the host and the Reflex test system and also how to install the Artworks software to ensure the correct drivers have been loaded.

Compatibility

The ASY5672 is fully compatible with all of ART's range of Reflex test systems with the exception of the Reflex 51. Please contact ART for more information.

Warranty

The ASY5672 is provided with a full 12 months return to base warranty.

Hardware options list

External DC power supply

This universal input power supply may be used with the ASY5672 when the USB bus power is insufficient. Order code ASY5672/PSU

Reflex 10 'Remote' power cable

This may be used with the ASY5672 when interfacing to a Reflex 10 Relay Test System if the USB bus power is insufficient. Order code ASY5672/R10. This cable connects the ASY5672 to the Reflex 10 'Remote' connector. Another 'Remote' connector is provided on the ASY5672 should this be required for use external peripherals such as an ASY0700 etc.



See also:
ASY0725 device multiplexer
module