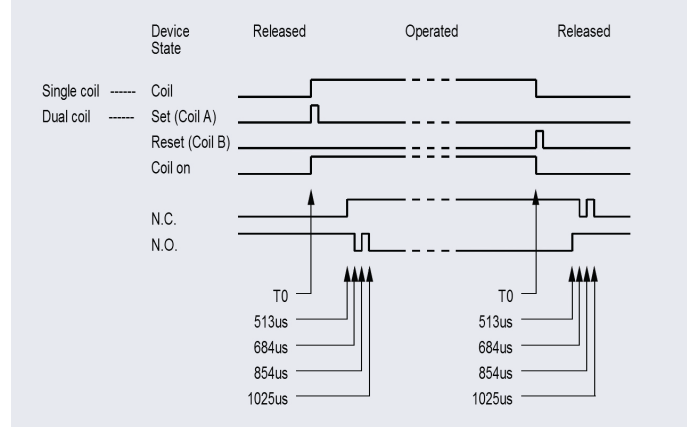
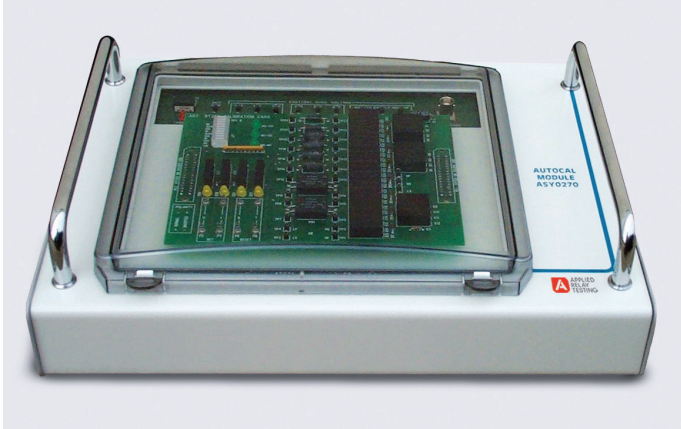


# ASY0270 AUTOCAL CALIBRATION MODULE

Calibration



The Autocal module (ASY0270) complements ART's range of parametric test systems including the RT290 and Reflex range providing comprehensive automated self-test and semi-automated calibration.

## Key Features

- Fully automated self-test of Reflex/RT290 and semi-automated calibration
- Removable precision calibration resistors for traceability
- Single fully screened interface cable provides power, parametric connections and control
- Controlled from within parametric system software for maximum ease of use
- Built-in 'Perfect relay contact' for timing verification
- Rigid construction with safety cover and carry handles

## Overview

The Autocal ASY0270 calibration module provides all the capability required to perform fully automated system self-test at the device connector across ART's range of parametric relay testers. Only a few simple voltage measurements are required to the easily accessible test points to perform basic system calibration.

The units portability allows a single Autocal module to be quickly 'walked around' the factory floor across several parametric systems to provide fast and repeatable self-test and calibration.

A built-in crystal controlled 'perfect relay contact' provides timing characteristic verification by simulating opening and closing contacts with bounce action. RT290 users can also benefit from the additional confidence check when performing the self-test and calibration at the device connector.

2 Terminal ranges	10, 100, 1k, 10k, 100k, 1M Ohm $\pm 0.1\%$
4 Terminal ranges	0 $\pm 0.02m$ , 100m $\pm 0.05\%$ , 1 Ohm $\pm 0.02\%$ ,
System interface connector	60 way Hirose
Supply	24 Vdc, 300mA (supplied from test system)
Dimensions	348 x 270 x 110 mm (13.7 x 10.6 x 4.3")
Weight	4.5 kg (10 lbs)

Scan for Website:



## Product Features

### Parametric system connection

When used in conjunction with ART's Reflex or RT290 parametric systems, the Autocal unit offers fast and simple system calibration/self-test.



Autocal connected to Reflex 10

### Simple self-test and calibration

Built-in high-precision standards are quickly removable from the front-panel for traceability. Self test and calibration results can be viewed, printed or exported to print or datalog files.

### Simulated relay

A crystal controlled synthesised relay contact provides accurate operate and release characteristics with simulated bouncing for timing parameter verification. Note that it can be used with the RT290 for dynamic CR verification.

### Portable

The unit can be installed in seconds to provide rapid relay test system self test. One Autocal unit can be shared between many systems across the shop floor with minimum inconvenience.

### Fully Kelvin device connections

All coil and contact connections are 4-terminal (Kelvin). High quality 4 terminal resistors are used on the ranges below 10 ohms.

### Slave connector

A second device connector fitted to the rear panel allows the unit to be left permanently connected whilst using a fixture or other ART serially controlled modules.



Rear panel view

### Easily accessible test points

All calibration test points are easily accessible. All device connections are available for test fixture debugging when device test fixture is connected to Autocal's slave connector.



Test points

### Coil networks

The Autocal unit can be used to connect additional custom diodes or other networks across device coils during testing.

### Simple interface

A single connection between device connector and the Autocal unit provides control, power and parametric connections.



See also:  
ASY0780 High Voltage  
calibration module